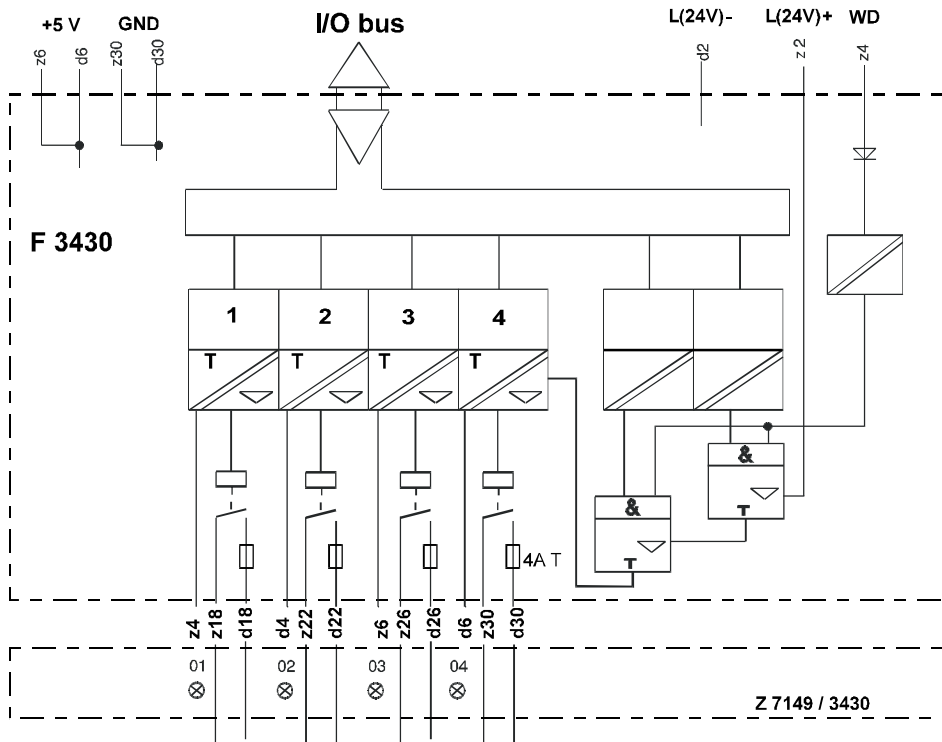




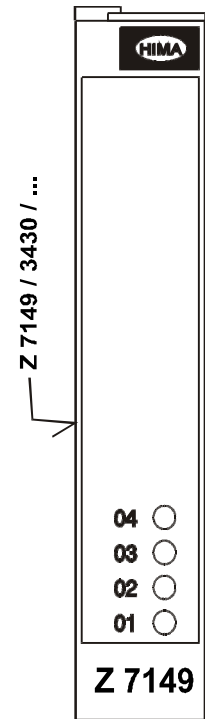
F 3430

F 3430 4-fold relay module, safety related

Switching voltage $\geq 5 \text{ V}$, $\leq 250 \text{ V AC}$ / $\leq 110 \text{ V DC}$,
 with integrated safety shutdown,
 with safety isolation, with 3 serial relays (diversity),
 solid state output (open collector) for LED display in the cable plug
 requirement class AK 1 ... 6



Block diagram



Front cable plug

Relay output	NO contact, dust-tight
Contact material	Silver alloy, gold-flashed
Switching time	approx. 8 ms
Reset time	approx. 6 ms
Bounce time	approx. 1 ms
Switching current	$10 \text{ mA} \leq I \leq 4 \text{ A}$
Life, mech.	$\geq 30 \times 10^6$ switching operations
Life, elec.	$\geq 2.5 \times 10^5$ switching operations with full resistive load and ≤ 0.1 switching operations/s
Switching capacity AC	max. 500 VA, $\cos \varphi > 0.5$
Switching capacity DC (non inductiv)	up to 30 V DC: max. 120 W up to 70 V DC: max. 50 W up to 110 V DC: max. 30 W
Space requirement	4 TE
Operating Data	5 V DC: $< 100 \text{ mA}$ 24 V DC: $< 120 \text{ mA}$

The module has a safe isolation between the input and the output contact, according EN 50178 (VDE 0160). The clearance in air and the creepage distance are dimensioned for overvoltage class III up to 300 V. When the module is used in safety controls the output circuits can be fused with max. 2.5 A.

F 3430 (0009)

Channel	Connection	Colour
1	z18 d18	ws br
2	z22 d22	gn ge
3	z26 d26	gr rs
4	z30 d30	bl rt

Cable
LiYY 8 x 1.5 mm²

Lead marking of the cable plug
Z 7149 / 3430 / C..